



CoPilot

Bulkhead Fittings

Navigating Precision, Sealing Excellence

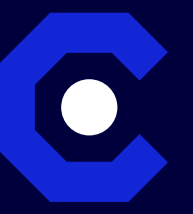
STAINLESS STEEL WELDLESS BULKHEAD FITTINGS

DUAL THREADS / DOUBLE RIBBED SEALING GASKETS

Contact for Custom Orders

✉ hello@copilotbulkheads.com

☎ (570) 979-5709



FEATURES		
Item	Part	Material
1	Body	ASTM A351 CF8/CF8M
2	Cap	ASTM A351 CF8/CF8M
3	Body Gasket	VMQ/EPDM/FKM

- PN16 Rating: -Pressure
- The Thread Ends Conform To ANSI B1.20.1 (NPT)
- Investment Casting

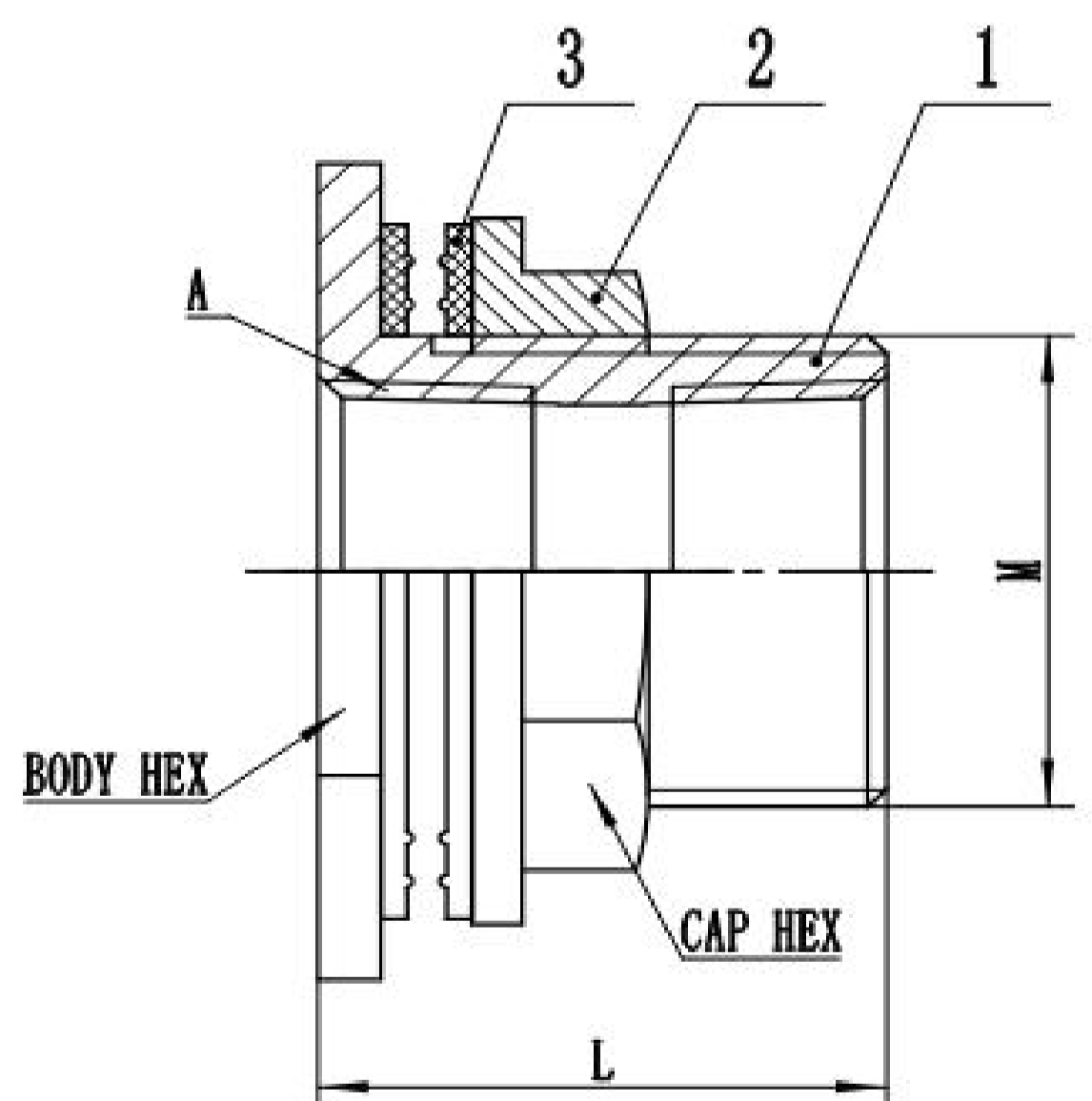
Size (A)	Weight (oz)	Internal Threads (NPT)	L (MM)	M (MM)	Body Hex (MM)	Cap Hex (MM)
1/2"	4.5	1/2"	32	27	42	30
3/4"	6.9	3/4"	35	33	50	36
1"	12	1"	45	40	60	44
1" HD	13.1	1"	-	-	-	-
1-5"	19.2	1-5"	48	55	80	60
2"	26	2"	52	68	93	75

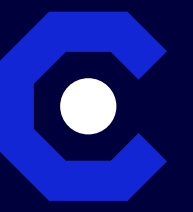
LEFT-HANDED THREADS

1. In summary, the use of left-handed or reversed threads on bulkhead fittings offers significant benefits in terms of preventing self-loosening, enhancing tightness, providing a safety mechanism, facilitating maintenance, enabling specific directional movements, and distinguishing between different systems. These advantages make left-handed threads a valuable feature in various industrial and mechanical applications.

2. Left-handed threads on bulkhead fittings are not just a minor detail—they are a critical feature that enhances the security, safety, and functionality of your systems. By preventing self-loosening, ensuring correct and safe connections, simplifying maintenance, and providing precision in mechanical applications, left-handed threads offer unparalleled advantages. Choose bulkhead fittings with left-handed threads to ensure your systems are robust, reliable, and safe.

3. While left-handed threads are not universally used in all bulkhead fittings, they offer significant advantages in applications where maintaining a secure, tight seal is paramount. Their ability to resist loosening under operational conditions makes them particularly effective for bulkhead fittings in dynamic or high-stress environments.





GASKET / TEMPERATURE

Gasket Type	Temperature Range
VMQ	-60°C to +200°C
EDPM	-45°C to +150°C
FKM	-20°C to +200°C

KEY FEATURES

- Compact
- Dependable
- Economical

GASKET INFORMATION

EPDM

The #1 benefit of using EPDM gaskets on a stainless steel bulkhead is their excellent resistance to a wide range of chemicals, including acids, alkalis, and water-based solutions. This chemical compatibility makes EPDM gaskets highly reliable and versatile for various applications, ensuring the integrity and safety of the sealed environment. Additionally, EPDM gaskets are durable, can be used repeatedly, and are cost-effective, making them a preferred choice for many industrial uses.

BUNA-N

Introducing the Ultimate SS304 Weldless Bulkhead Fitting: Uncompromising Sealing Power Meets Versatile Design Are you tired of subpar bulkhead fittings that leak, corrode, or limit your options? Look no further! Our premium SS304 Weldless Bulkhead Fitting is the game-changing solution you've been waiting for.

Unparalleled Sealing Technology

Say goodbye to leaks and hello to peace of mind! Our innovative left-handed outer threads ensure a rock-solid seal that tightens with use. No more constant retightening or worrying about loosening over time

Versatility at Your Fingertips

Why settle for less when you can have it all? Our bulkhead fitting features standard inner threads, allowing you to connect a wide range of threaded hardware. From pipes to sensors, the possibilities are endless!

Built to Last

Crafted from top-quality SS304 stainless steel, this fitting laughs in the face of corrosion and wear. It's the last bulkhead fitting you'll ever need to buy.

Choose Your Perfect Seal

We understand that one size doesn't fit all. That's why we offer two superior gasket options:

1. Buna-N: Ideal for oil, fuel, and water applications
2. EPDM: Perfect for high-temperature and chemical-resistant needs

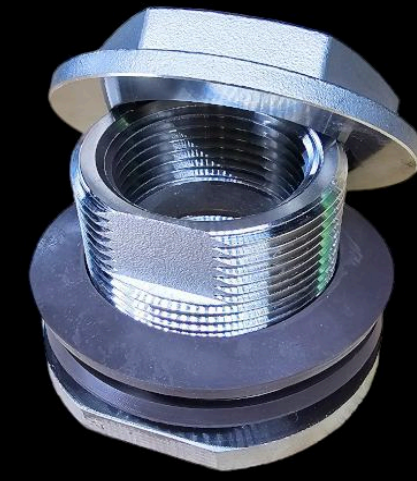
Why Settle for Less?

Leak-proof design - Unmatched versatility - Corrosion - Resistant SS304 construction- Choice of premium gaskets - Easy installation - no welding required! Don't let inferior fittings hold you back. Upgrade to our SS304 Weldless Bulkhead Fitting today and experience the difference that quality engineering makes. Order now and take the first step towards hassle-free, long-lasting connections!

**Teflon® encapsulated piston not available



BioMedical & Engineering



Can be made in any size
Heavy Duty 1 in
EPDM Gasket

Original Equipment Manufacturing



Threaded Cap Plug

Food & Beverage

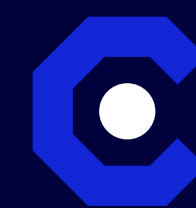


1 in NPT EZ Seal Weldless
Bulkhead Fitting
Buna-N Silicone

Gas, Oil & Fluids



1.5 and 2 in Bulkhead
with EPDM Gasket



ABOUT US

CoPilot is dedicated to providing top-tier bulkhead fittings that simplify installation and ensure maximum durability.

MISSION: Our mission is to deliver innovative solutions that empower professionals to create flawless connections with confidence and ease.

VISION: To be the trusted partner in fluid control systems by offering reliable, high-quality products that set the industry standard. We strive to innovate continuously, making our customers' work more efficient, effective, and secure.

CORE VALUES

Precision: We are committed to engineering products with meticulous attention to detail, ensuring flawless performance every time.

Reliability: Our customers depend on us for consistent quality and durability. We stand by our products to deliver on this promise.

Innovation: We constantly seek new ways to improve our products and the experience of our customers.

Simplicity: Our solutions are designed to make complex tasks straightforward, reducing the hassle and time required for installations.

Customer Focus: We listen to our customers and adapt our products to meet their needs, fostering long-lasting partnerships.

Brand Promise: With CoPilot, you're not just buying a fitting; you're investing in a product that will perform under pressure, every time.

Call or Contact

For Pricing or Custom Engineered Orders

✉ hello@copilotbulkheads.com | ☎ (570) 979-5709